



User Manual

Portable Water Flosser

DG-M6



www.mydigoo.com



English

What's in the BOX



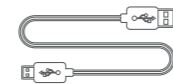
Water Flosser



Quick Guide

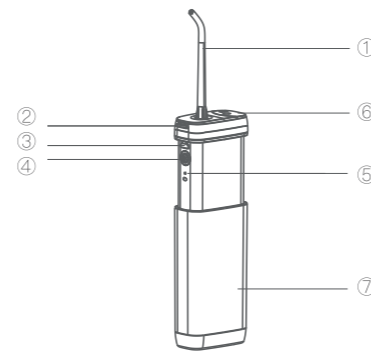


Nozzle



Micro-USB line

Getting to Know Your Water Flosser



- ① Nozzle
- ② Nozzle Nnplug Button
- ③ Micro-USB
- ④ Shift Knob
- ⑤ Indicator Light
- ⑥ Water Tank
- ⑦ Water Inlet & Nozzle Storage

Instructions before Use

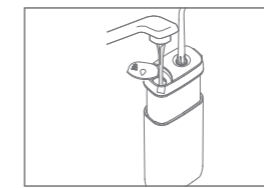
Gingival bleeding may occur at the beginning, because the gums are not used to this kind of stimulation and the bleeding will stop in about a week, so it is generally recommended to use the low-grade mode first. If the bleeding continues for more than two weeks, it may be a gum problem (periodontal disease, etc.). In such cases, discontinue use immediately and consult a dentist.

How to use

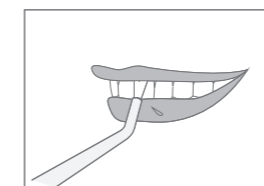
1. Install the nozzle



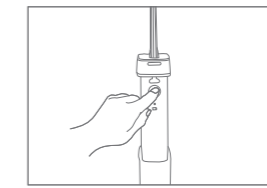
2. Pull out the tank, open the inlet and fill with water.



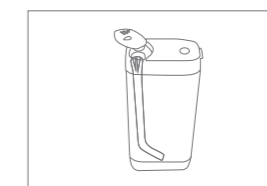
3. Put the nozzle in your mouth and point it at your teeth, then press the switch to start using it.



4. Long press the switch button to switch the mode.



5. After use, please clean up and put the nozzle into the water injection port (Nozzle Storage).



6. Daily maintenance: The water tank needs to be cleaned regularly. Remove the tank by hand and clean the tank.

