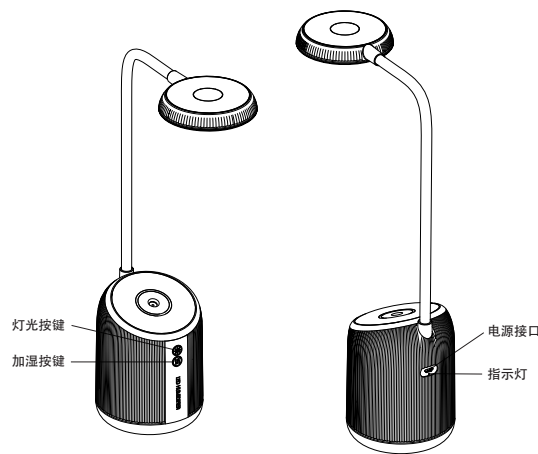


台灯加湿器说明书



产品参数

产品型号: QW-TD09
充电电流: 850mA
雾化工作电流: 200-260mA
使用功率: 2W
水瓶容量: 280mL
产品尺寸: 356×95×95mm
产品重量: 340g
执行标准: GB700.2004-2008

工作电压: Dc5V
电池容量: 2000mAh
灯光电流: 650mA
电源输出: 5V/1A
喷雾量: 45-50mL/H
材质: ABS/PP/硅胶+电子元器件+五金
质检: 合格品
产地: 中国深圳

使用说明

●灯光键:

- 1.短按一下按键, 开启灯盘白光。
- 2.再次短按开启暖灯。
- 3.再次短按白暖光混色。
- 4.长按灯光键进入无极调光模式。从最亮到最暗, 再次长按从最暗到最亮。(依次循环)。

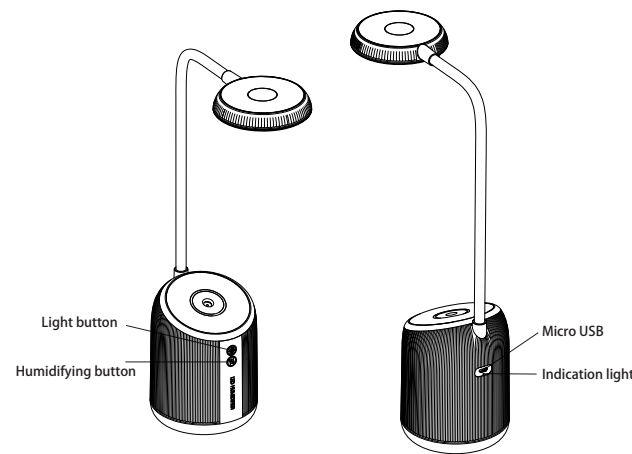
●缺水防干烧功能:

- ①当探针检测到最低无水时, 暖灯闪烁3下并停止喷雾, 启动防干烧保护。
- ②低电压提醒: 在使用电池供电时, 当电池电压低于3V时机器停止工作并暖灯闪烁3下提示。

注意事项

- 1、产品使用喷雾前请先浸泡棉棒2-3分钟。
- 2、产品不建议使用蒸馏水和纯净水、不能添加油性类香精油。
- 3、产品请勿倾斜放置。

LED HUMIDIFIER MANUA



Product parameters

Product number: QW-TD09
Working voltage: Dc5V
Atomizing working current: 200-260mA
Power consumption: 2W
Product Size: 356×95×95mm
Material: ABS / PP / silicone + electronic components + hardware
Quality inspection: qualified products
Executive standard: GB700.2004-2008
Place of Origin: Shenzhen, China

Battery capacity: 2000mAh
Charging current: 850mA
Light current: 650mA
Power output: 5V/1A
Water bottle capacity: 280mL
Spray amount: 45-50mL/H
Product weight: 340g

Functional operation

●Light button:

1. Short press the button to turn on the white light.
2. Short press again to turn on the warm light.
3. Short press white warm light again.
4. Press and hold the light button to enter the stepless dimming mode. From the brightest to the darkest, press again from the darkest to the brightest. (loop in order).

●Water shortage and anti-dry function:

- ①1 When the probe detects the lowest water, the warm light flashes 3 times and stops spraying, and the anti-dry protection is activated.
- ② Low voltage reminder: When using battery power, when the battery voltage is lower than 3V, the machine stops working and the warm light flashes 3 times.

Precautions

- 1、 Please soak the cotton swab for 2-3 minutes before using the spray.
- 2、 the product is not recommended to use distilled water and purified water, can not add oily essential oils.
- 3.Do not tilt the product